

## INSTRUCTION MANUAL FOR PENDANT LAMP

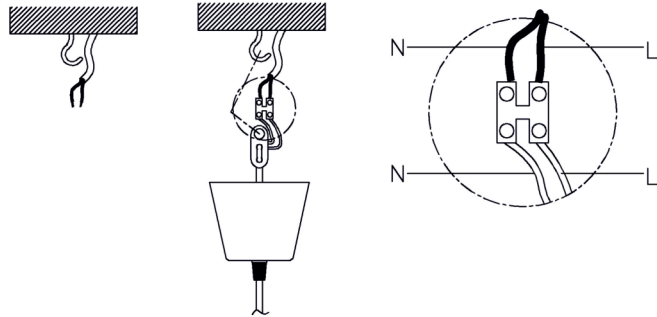
Thank you for buying a product made by our company. Please read these instructions fully before proceeding with installation. Keep these instructions for future use. Always comply with these instructions. This product is designed for indoor use. If you are in any doubt about the installation or operation of this product, please consult a qualified and experienced electrician.

### INSTALLATION

**Before starting the installation, disconnect the power by turning off the circuit breaker or by removing the appropriate fuse at the fuse box. Turning the power off using the light switch is not sufficient to prevent electrical shock.**

#### Installation:

1. Remove the shade and electrical elements from all the packages and foil bags.
2. Disconnect the power by turning off the circuit breaker or by removing the appropriate fuse at the fuse box.
3. Connect wires into the electric bar.
4. Place the canopy to cover on to the electrical parts.
5. Place the shade into the bulb holder socket and secure by tightening the socket ring.
6. Install the bulb with parameters strictly according to rating details given on rating label.
7. Connect the power by turning on the circuit breaker..



**Warning: There is the qualified, licensed electrician needed for installation**

## INSTRUCTION MANUAL FOR PENDANT LAMP

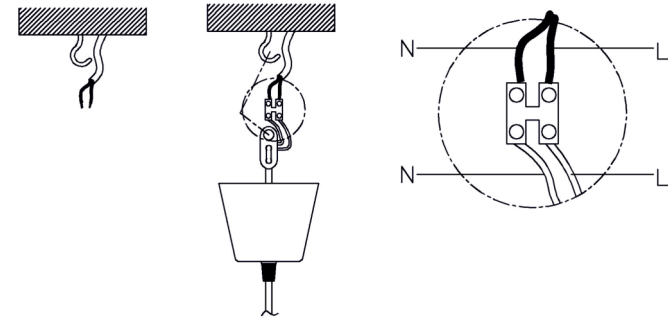
Thank you for buying a product made by our company. Please read these instructions fully before proceeding with installation. Keep these instructions for future use. Always comply with these instructions. This product is designed for indoor use. If you are in any doubt about the installation or operation of this product, please consult a qualified and experienced electrician.

### INSTALLATION

**Before starting the installation, disconnect the power by turning off the circuit breaker or by removing the appropriate fuse at the fuse box. Turning the power off using the light switch is not sufficient to prevent electrical shock.**

#### Installation:

1. Remove the shade and electrical elements from all the packages and foil bags.
2. Disconnect the power by turning off the circuit breaker or by removing the appropriate fuse at the fuse box.
3. Connect wires into the electric bar.
4. Place the canopy to cover on to the electrical parts.
5. Place the shade into the bulb holder socket and secure by tightening the socket ring.
6. Install the bulb with parameters strictly according to rating details given on rating label.
7. Connect the power by turning on the circuit breaker..



**Warning: There is the qualified, licensed electrician needed for installation**

## INSTRUCTION MANUAL FOR PENDANT LAMP

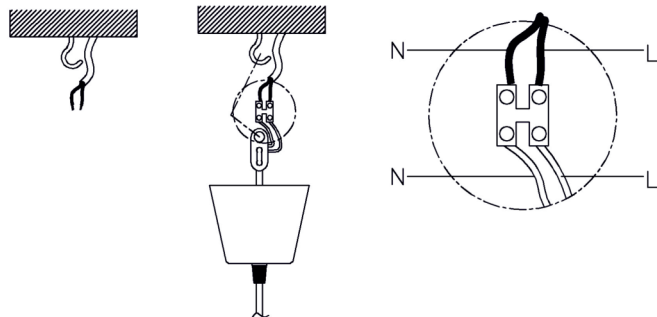
Thank you for buying a product made by our company. Please read these instructions fully before proceeding with installation. Keep these instructions for future use. Always comply with these instructions. This product is designed for indoor use. If you are in any doubt about the installation or operation of this product, please consult a qualified and experienced electrician.

### INSTALLATION

**Before starting the installation, disconnect the power by turning off the circuit breaker or by removing the appropriate fuse at the fuse box. Turning the power off using the light switch is not sufficient to prevent electrical shock.**

#### Installation:

1. Remove the shade and electrical elements from all the packages and foil bags.
2. Disconnect the power by turning off the circuit breaker or by removing the appropriate fuse at the fuse box.
3. Connect wires into the electric bar.
4. Place the canopy to cover on to the electrical parts.
5. Place the shade into the bulb holder socket and secure by tightening the socket ring.
6. Install the bulb with parameters strictly according to rating details given on rating label.
7. Connect the power by turning on the circuit breaker..



**Warning: There is the qualified, licensed electrician needed for installation**

## INSTRUCTION MANUAL FOR PENDANT LAMP

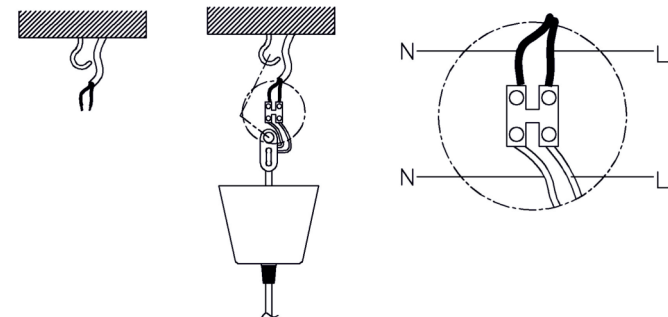
Thank you for buying a product made by our company. Please read these instructions fully before proceeding with installation. Keep these instructions for future use. Always comply with these instructions. This product is designed for indoor use. If you are in any doubt about the installation or operation of this product, please consult a qualified and experienced electrician.

### INSTALLATION

**Before starting the installation, disconnect the power by turning off the circuit breaker or by removing the appropriate fuse at the fuse box. Turning the power off using the light switch is not sufficient to prevent electrical shock.**

#### Installation:

1. Remove the shade and electrical elements from all the packages and foil bags.
2. Disconnect the power by turning off the circuit breaker or by removing the appropriate fuse at the fuse box.
3. Connect wires into the electric bar.
4. Place the canopy to cover on to the electrical parts.
5. Place the shade into the bulb holder socket and secure by tightening the socket ring.
6. Install the bulb with parameters strictly according to rating details given on rating label.
7. Connect the power by turning on the circuit breaker..



**Warning: There is the qualified, licensed electrician needed for installation**

## IMPORTANT SAFETY RULES

1. This product is designed for indoor use **ONLY** and must be protected against dirt and moisture.
2. Children must not play with the product.
3. If the bulb needs to be exchanged the power must be off. Before exchanging make sure the bulb is not hot anymore.  
During the usage some parts of lamp get hot. **DO NOT TOUCH THEM TO PREVENT THE BURN.**  
**There is strictly forbidden to touch the lamp and the bulb when the light is on.**
4. There is strictly forbidden to use the bulbs with rating higher than the parameters given on rating label.
5. There is forbidden to cover the lampshade with anything.
6. The user must
7. In case of technical fault, the user must contact the trading body.
8. In case of the power cord is damaged, it must be replaced by qualified electrician to prevent the fire or electrical shock or any other damage.

## TECHNICAL DETAILES

### BPS *Koncept*

Nazwa towaru: Lampa Wisząca  
Model: **BPS-020**  
Napięcie zasilania: 230V ~  
Częstotliwość: 50Hz  
Źródło światła: 1 x E27, max 60W



waga produktu:  
0,9 kg

PRODUCED BY: BPS KONCEPT  
UL. Zygmuntowska 12, 31-314 Kraków  
telefon 609370502, e-mail: [biuro@bpskoncept.com](mailto:biuro@bpskoncept.com),  
[www.bpskoncept.com](http://www.bpskoncept.com)

MADE IN EU

## IMPORTANT SAFETY RULES

1. This product is designed for indoor use **ONLY** and must be protected against dirt and moisture.
2. Children must not play with the product.
3. If the bulb needs to be exchanged the power must be off. Before exchanging make sure the bulb is not hot anymore.  
During the usage some parts of lamp get hot. **DO NOT TOUCH THEM TO PREVENT THE BURN.**  
**There is strictly forbidden to touch the lamp and the bulb when the light is on.**
4. There is strictly forbidden to use the bulbs with rating higher than the parameters given on rating label.
5. There is forbidden to cover the lampshade with anything.
6. The user must
7. In case of technical fault, the user must contact the trading body.
8. In case of the power cord is damaged, it must be replaced by qualified electrician to prevent the fire or electrical shock or any other damage.

## TECHNICAL DETAILES

### BPS *Koncept*

Nazwa towaru: Lampa Wisząca  
Model: **BPS-020**  
Napięcie zasilania: 230V ~  
Częstotliwość: 50Hz  
Źródło światła: 1 x E27, max 60W



waga produktu:  
0,9 kg

PRODUCED BY: BPS KONCEPT  
UL. Zygmuntowska 12, 31-314 Kraków  
telefon 609370502, e-mail: [biuro@bpskoncept.com](mailto:biuro@bpskoncept.com),  
[www.bpskoncept.com](http://www.bpskoncept.com)

MADE IN EU

## IMPORTANT SAFETY RULES

1. This product is designed for indoor use **ONLY** and must be protected against dirt and moisture.
2. Children must not play with the product.
3. If the bulb needs to be exchanged the power must be off. Before exchanging make sure the bulb is not hot anymore.  
During the usage some parts of lamp get hot. **DO NOT TOUCH THEM TO PREVENT THE BURN.**  
**There is strictly forbidden to touch the lamp and the bulb when the light is on.**
4. There is strictly forbidden to use the bulbs with rating higher than the parameters given on rating label.
5. There is forbidden to cover the lampshade with anything.
6. The user must
7. In case of technical fault, the user must contact the trading body.
8. In case of the power cord is damaged, it must be replaced by qualified electrician to prevent the fire or electrical shock or any other damage.

## TECHNICAL DETAILES

### BPS *Koncept*

Nazwa towaru: Lampa Wisząca  
Model: **BPS-020**  
Napięcie zasilania: 230V ~  
Częstotliwość: 50Hz  
Źródło światła: 1 x E27, max 60W



waga produktu:  
0,9 kg

PRODUCED BY: BPS KONCEPT  
UL. Zygmuntowska 12, 31-314 Kraków  
telefon 609370502, e-mail: [biuro@bpskoncept.com](mailto:biuro@bpskoncept.com),  
[www.bpskoncept.com](http://www.bpskoncept.com)

MADE IN EU

## IMPORTANT SAFETY RULES

1. This product is designed for indoor use **ONLY** and must be protected against dirt and moisture.
2. Children must not play with the product.
3. If the bulb needs to be exchanged the power must be off. Before exchanging make sure the bulb is not hot anymore.  
During the usage some parts of lamp get hot. **DO NOT TOUCH THEM TO PREVENT THE BURN.**  
**There is strictly forbidden to touch the lamp and the bulb when the light is on.**
4. There is strictly forbidden to use the bulbs with rating higher than the parameters given on rating label.
5. There is forbidden to cover the lampshade with anything.
6. The user must
7. In case of technical fault, the user must contact the trading body.
8. In case of the power cord is damaged, it must be replaced by qualified electrician to prevent the fire or electrical shock or any other damage.

## TECHNICAL DETAILES

### BPS *Koncept*

Nazwa towaru: Lampa Wisząca  
Model: **BPS-020**  
Napięcie zasilania: 230V ~  
Częstotliwość: 50Hz  
Źródło światła: 1 x E27, max 60W



waga produktu:  
0,9 kg

PRODUCED BY: BPS KONCEPT  
UL. Zygmuntowska 12, 31-314 Kraków  
telefon 609370502, e-mail: [biuro@bpskoncept.com](mailto:biuro@bpskoncept.com),  
[www.bpskoncept.com](http://www.bpskoncept.com)

MADE IN EU